

OLTx

Optical Lap trigger transmitter

Description

The OLTx is a 27-LED infra-red optical transmitter unit used in telemetry and data acquisition systems.

The device continuously transmits a coded infra-red signal to trigger the OLRx on-board receiver which provides the data acquisition system with a spatial reference point.

The unit is enclosed in a watertight polycarbonate container.

Connection to an external battery (not supplied) is made via Deutsch IMC100 4 pin.

Main Features

- *IR optical transmitter*
- *Coded binary sequence (team-code) modulator*
- *Led indicator function*

Benefits

- *Light, compact, robust design*
- *CAN code programmable*

Typical Applications

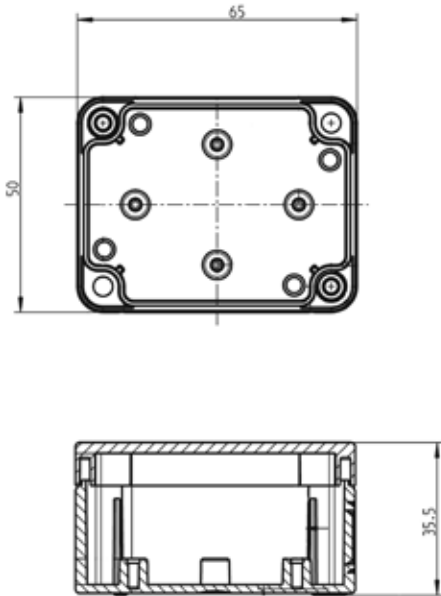
MotoGP
Rally cars
Racing bikes
Touring cars



OLTx

Optical Lap trigger transmitter

Dimensions



Dimensions in millimetres

Technical Characteristics

Range	1 to 25 m
Cone angle @ distance x	See Fig.1
Power supply (V DC)	10 to 15 V
Current @ 13.2 V	
power	250 mA
Protection	polarity inversion
Ambient operating temperature	- 20 to 85 °C
Battery connector	IMC14-2204X
Container	sealed polycarbonate
Mating connector (on request)	IMC16-2204X
Cable length	1 m
Dimensions (approx.)	65 x 50 x 35.5 mm
Weight	75 g

Detection angle

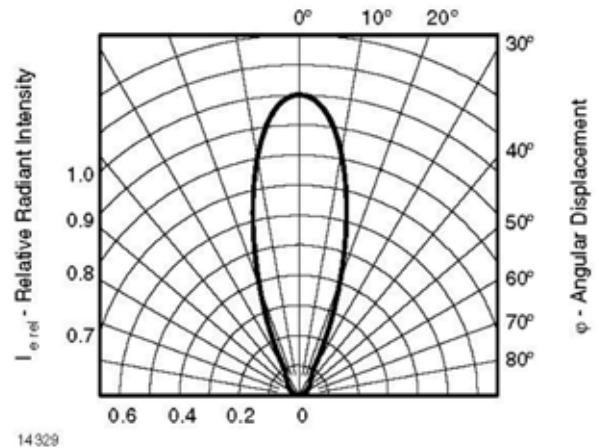


Fig. 1 – Relative Radiant Intensity vs Angular Displacement

Connector Pin Out

Transmitter OLRx		
Pin	Name	Description
1	VBatt	+ 12 Volt
2	CAN H	Reserved MM
3	CAN L	Reserved MM
4	GND	Ground